

# ROCKBREAKER QUESTIONNAIRE

<b>Name:</b>	<b>Phone:</b>	<b>Email:</b>
<b>Company:</b>	<b>Site:</b>	<b>Project:</b>
<b>Expected mine life:</b>		

## Material details

Material being handled?

Expected frequency and maximum expected lump size to be broken-in 3 planes?

Expected frequency and average expected lump size to be broken-in 3 planes?

Material UCS in MPa?

## Boom system requirements

What is the application? (ie: sizer, gyratory crusher, grizzly, jaw crusher, etc)

What is the maximum required vertical reach?

What is the maximum required horizontal reach?

What is the maximum required horizontal reach with the hammer in a working position? (hammer vertical or at 15°)

What is the maximum slew angle required?

Are there any requirements to use the rockbreaker for other tasks? ie: Removal of gyratory crusher liners, scraping (scrapers), water washing (water canon), grapples.

Are there any specific control method requirements? (ie: teleoperation, anti-collision system, automation, etc)

## General

What is the site voltage supply and frequency for low voltage motors?

What is the expected length of piping run and change in elevation between the power pack and boom system locations?

Does the design need to comply with any client specific standards or specifications?  Yes  No

**Comments:**

Please attach a sketch of the working area if available or complete the dimensions on the next page.



**HEAD OFFICE**  
**Western Australia**  
**Local Call:** 1300 127 091  
**International Call:** +61 (0) 8 9270 8555  
**Email:** wasales@transmin.com.au  
**Address:** 33-37 Denninup Way Malaga  
 Perth, Western Australia, 6090

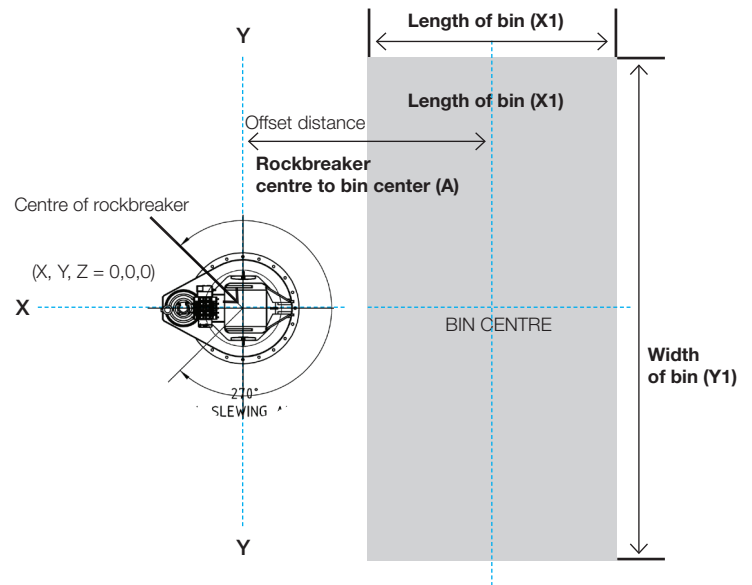
**Queensland & Northern Territory**  
**Local Call:** 1300 800 609  
**International Call:** +61 (0) 8 9270 8555  
**Email:** qldsales@transmin.com.au

**INTERNATIONAL OFFICES**  
**North America Email:** sales.ca@transmin.com.au  
**South America Email:** sales.sa@transmin.com.au  
**India Email:** sales.in@transmin.in

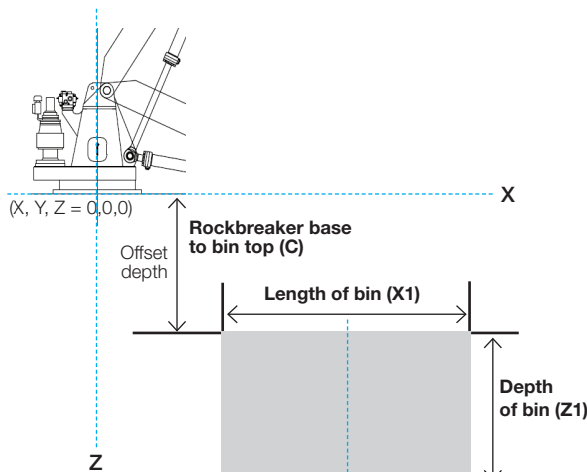
# ROCKBREAKER QUESTIONNAIRE

<b>X1</b>	<b>A</b>	
<b>Y1</b>	<b>+B</b>	<b>-B</b>
<b>Z1</b>	<b>C</b>	
<b>For Gyratory Crusher:</b>		
Centre of gyratory crusher to centre of rockbreaker		
Inside diameter of gyratory crusher		
<b>For Jaw Crusher:</b>		
Centre of jaw crusher		
Inside dimensions of jaw crusher to centre of rockbreaker		
<b>For grizzly:</b>		
Distance from the top of the bin to the grizzly		

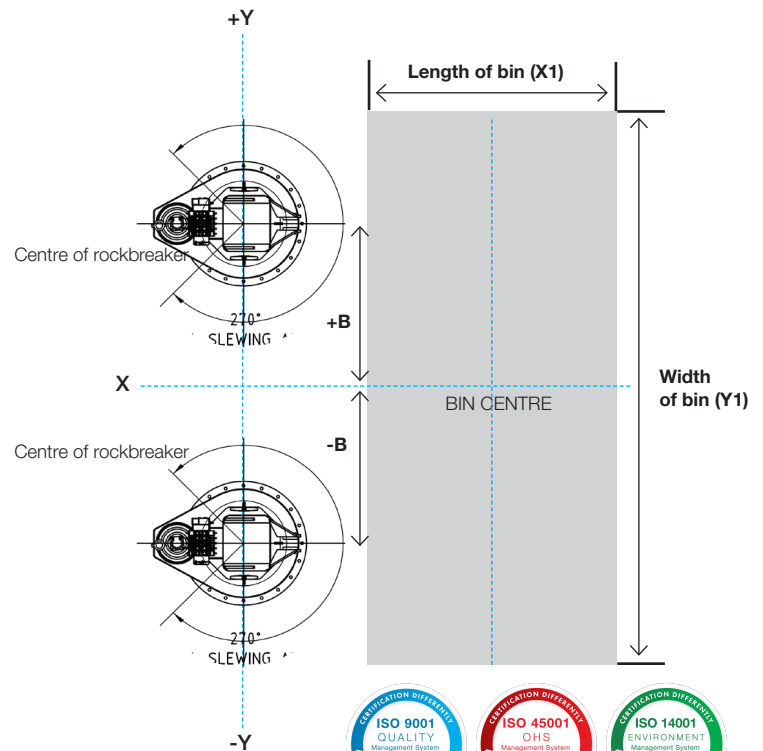
## Plan View - Rockbreaker in Centre



## Side View



## Plan View - Rockbreaker Centre Offset



## HEAD OFFICE

Western Australia

Local Call: 1300 127 091

International Call: +61 (0) 8 9270 8555

Email: wasales@transmin.com.au

Address: 33-37 Denninup Way Malaga  
Perth, Western Australia, 6090

## Queensland & Northern Territory

Local Call: 1300 800 609

International Call: +61 (0) 8 9270 8555

Email: qldsales@transmin.com.au

## INTERNATIONAL OFFICES

North America Email: sales.ca@transmin.com.au

South America Email: sales.sa@transmin.com.au

India Email: sales.in@transmin.in