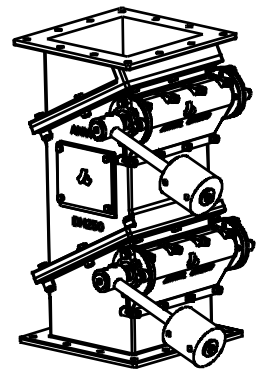
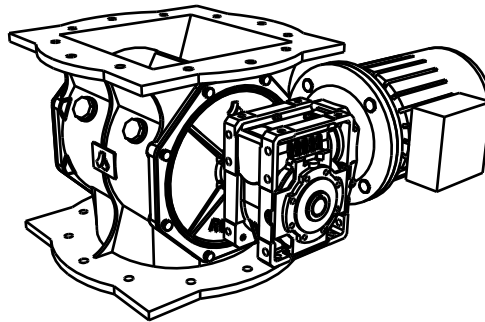
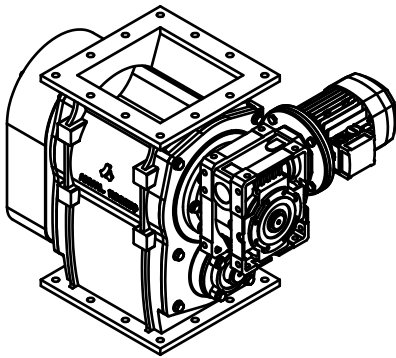
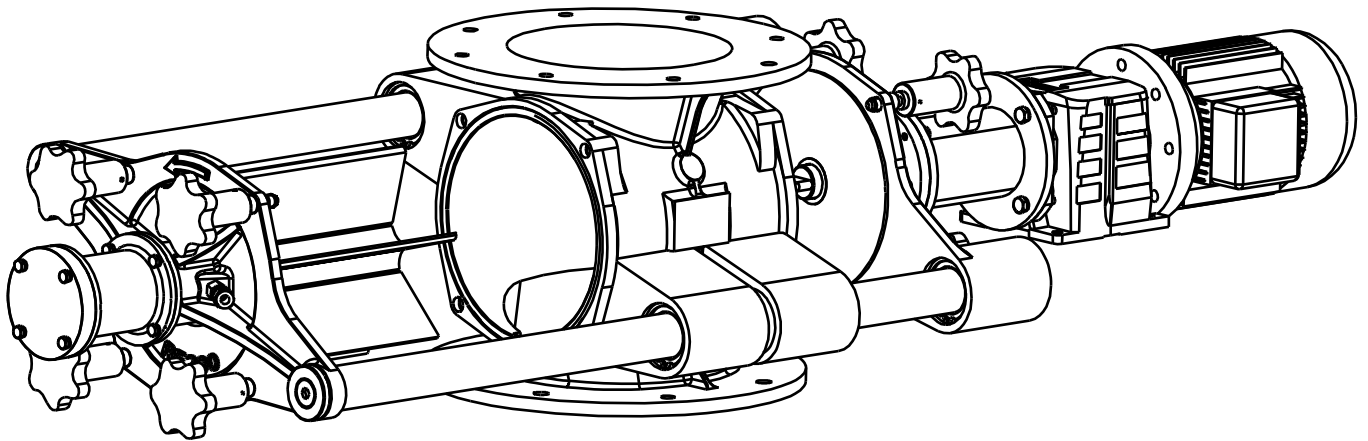


Authorised Distributor



www.transmin.com.au



FIRST IN FEEDERS AND AIRLOCKS

WHO ARE WE?

Anval, an ISO 9001:2015 certified company, has established itself as the leading market player in the field of designing and manufacturing Rotary valves, feeders, and airlocks. Originally derived from Ansac, an Australian specialist in thermal processing, Anval leverages over 40 years of experience to deliver top-quality equipment for even the most challenging applications across industries worldwide.

Anval continually expands and enhances its equipment range to meet the increasingly demanding requirements of its customers. While many industries handle powdered substances on a large scale, each application got its unique specifications for handling equipments that must be tailored to achieve and maintain efficiency. Whether it is a basic powder, raw coal, adhesive biomass, or abrasive alumina, Anval's internal engineering teams have successfully addressed an extensive range of material handling issues.

Anval takes pride in employing simple and robust design solutions to effectively meet customers' performance expectations. With a strong commitment to customer satisfaction, Anval not only provides effective design solutions but also ensures the availability of spare parts and comprehensive service support throughout the product's lifetime.

SIMPLE, STABLE & ECONOMICAL AIRLOCKS

RL SERIES| Rotary Airlocks & Feeders

Rotary air lock valves have diverse uses in controlling both solid gas separation and solids metering. The RL Series Rotary valves are specifically designed to serve as air locks for dust collection systems and solids feeding applications. These valves are highly versatile, catering to a wide range of industries and applications. These valves are available in sizes ranging from 150 to 300mm.

Key features of RL Series valves:

- Sturdy design and cost-effectiveness.
- No intricate adjustments required.
- Minimal maintenance requirements.
- Comes in Direct, Chain, and Inline drive configurations.
- Delivers excellent airlock performance.
- Equipped with replaceable "Labyrinth Seals".
- ATEX Zone 1G and 1D.
- IP65 rated construction.

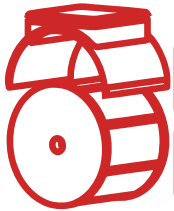
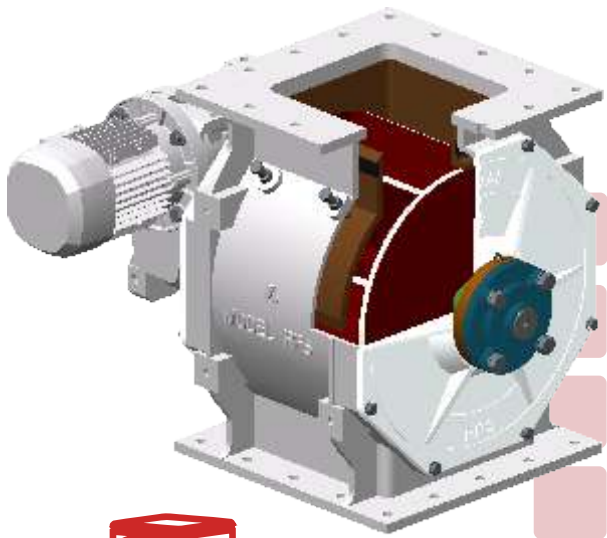
WHY US?

As an organization focused on customer satisfaction, the team Anval dedicated in delivering superior, tailor-made products and services that effectively support the unique business models of its customers. The streamlined designs offered by Anval result in a comparatively low maintenance requirement, even when operating in challenging conditions.

Anval's products and solutions have demonstrated their reliability and effectiveness across a diverse array of industries, successfully meeting the demands of highly challenging applications. We take pride in being the trusted supplier of valves for renowned mining and bulk material handling companies worldwide.



THE TOUGH, CERAMIC EMBEDDED, WEAR RESISTANT ABSOLUTE AIRLOCK RFS SERIES | Rotary Floating Shoe Valves



RFS Series Rotary valve features a robust construction, with the body made from a single piece of durable cast iron. It includes adjustment bolts on sides which allows the internal Floating Shoe adjustment from outside without stopping the valve. This unique design allows the valve to operate efficiently in both positive and negative pressure environments. Compared to conventional rotary valve, the Floating Shoe valve offers exceptional longevity, often lasting up to six times longer, making it highly valuable for High Wear, High Temperature and High Pressure applications. RFS valves are the best companion in Direct Air Capture (DAC) in Carbon Capture Applications. Available in various sizes, ranging from 250 to 750mm as standard, and can be customized for larger dimensions.

Key features of RFS Series valves:

- Absolute sealing for DAC in Carbon Capture Applications.
- Ultra heavy-duty cast iron construction.
- Ceramic embedded Rotor to minimize wear and extend the life span.
- Hardened SG iron Shoe provides optimum sealing.
- Available in Direct Drive or Chain Drive options.
- Equipped with replaceable "Labyrinth Seals".
- Can withstand Higher Temperatures and Higher Pressure.
- Customizable to meet specific requirements.
- The best in class as Protection System (PS) in explosive environment.
- ATEX Zones 1G and 1D.
- IP65 rated construction.

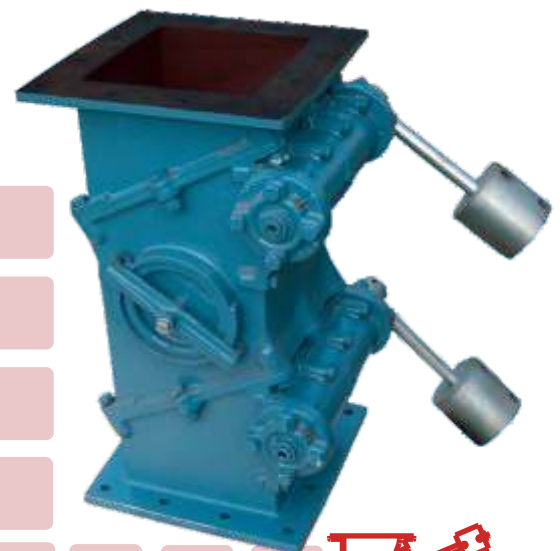
EFFECTIVE FLAP VALVES FOR HIGH PRESSURE CONDITIONS

DH SERIES | Dump Valves

DH Series Dump valve, designed to handle larger and irregular particles and provide positive sealing in both vacuum and pressure conditions. These dump valves are ideal for applications where a complete seal and occasional or regular discharge of solids are necessary. Our DH series dump valves offer opening sizes ranging from 150 to 350mm as standard and can be customized for larger sizes. With its specialized design and robust features, the DH series dump valves offer reliable and efficient handling of Alternative Fuels and Raw Material (AFR), especially those derived from solid wastes.

Key features of DH Series valves:

- Available in Gravity, Motorized, and Pneumatic types.
- Minimal maintenance requirements and a long service life.
- Equipped with replaceable "Labyrinth Seals".
- Heavy-duty cast iron construction.
- Easily handles irregular shapes.
- Excellent Airlock performance.
- Best fit for handling Alternative Fuels (AFR).



THE CORROSION RESISTANT & HYGIENIC RS SERIES | Rotary Airlocks & Feeders



Anval RS Series Rotary valves are crafted using cast Stainless Steel, ensuring exceptional hygiene, durability and strength. These valves undergo meticulous machining of their internal surfaces, resulting in high precision and reliability. Designed to effectively combat concerns related to corrosion, rust, and staining, making them the ideal choice for industries spanning pharmaceuticals, food processing, animal feed, chemicals, and plastics.

The Anval RS Series rotary valves come in a range of standard sizes, from 150 to 300mm. Furthermore, they can be conveniently customized to accommodate larger dimensions, offering the flexibility to fulfill specific requirements.

Key features of RS Series valves:

- Comes in Direct, Chain, and Inline drive configurations.
- Matt or Mirror finish internals.
- Well-suited for Cryogenic, and Hygienic applications.
- Requires minimal maintenance.
- Equipped with replaceable "Labyrinth Seals".
- Universal flanges for versatile compatibility.
- Offers a wide selection of rotors.
- ATEX Zones 1G and 1D.
- IP65 rated construction.



THE CORROSION RESISTANT BLOW SEALS BS SERIES | Rotary Blow Through Valves

Anval BS Series Blow through Rotary valves, crafted from cast Stainless Steel, guaranteeing exceptional durability and strength. The internal surfaces of these valves undergo precision machining, ensuring optimal performance in Pneumatic conveying applications. They are specifically designed to combat corrosion, rust, and staining issues, making them the perfect choice for various applications including chemical, plastic, animal feed, milling, metallurgy, flour, food and pharmaceuticals.

The Anval BS Series rotary valves are available in a range of sizes, starting from 150 to 300mm as standard, and can be further customized to accommodate larger dimensions.

Key features of BS Series valves:

- Matt or Mirror finish internals.
- Seamless material flow in Pneumatic conveying.
- Easy installation and maintenance.
- Equipped with replaceable "Labyrinth Seals".
- Compact, simple, and robust in design.
- Constructed as a single piece, ensuring structural integrity.
- Universal flanges for versatile compatibility.



THE HYGIENIC QUICK AND EASY CLEANING

RE SERIES | Rotary Easy Clean Valves

The Anval RE Series Rotary valve offers a convenient and safe solution in which the valve can be opened or closed for quick cleaning without any extra tool or complex adjustment. These valves are constructed in cast Stainless Steel with precisely machined internal surfaces.

Designed for contamination sensitive applications in the food, mineral, plastics, pharmaceutical, chemical, and other hygienic applications that require frequent disassembly and cleaning. Easy Clean valves are available in a range of sizes, from 150 to 300mm.

Key features of RE Series valves:

- Tool-Less Opening & Closing.
- Quick & Easy Cleaning.
- Available in Single or Double side opening.
- Investment casting with excellent Matt or Mirror finish internals.
- "Labyrinth Seals" for a high degree of shaft sealing.
- Simple and easy installation, operation and maintenance.
- Reduced downtime and maximum performance.
- Most suited for Dairy applications.



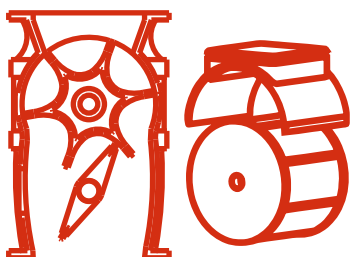
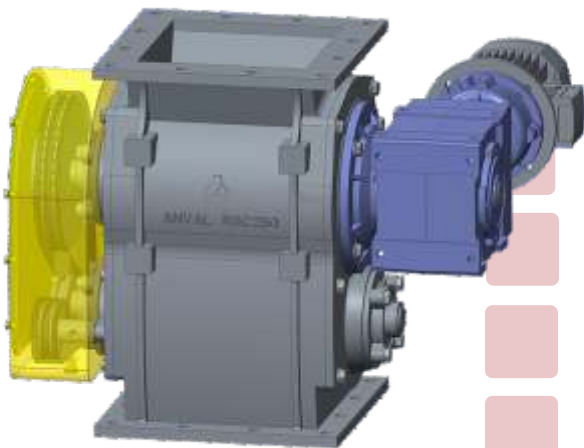
HANDLING STICKY, VISCOUS AND NON-FLOWING BULK SOLIDS

RSC SERIES | Self Cleaning Rotary Feeders

The RSC Series is purpose-built to handle high-moisture or sticky products with exceptional efficiency. These valves incorporate a self-cleaning function that mechanically empties the pockets, promoting the smooth flow of materials. This feature increases operational efficiency by reducing downtime thus making them highly suitable for demanding applications in various industries.

Key features of RSC Series valves:

- Facilitates smoother material flow, optimizing performance.
- Secondary rotor synchronized with primary using single drive.
- Can easily handle materials with high moisture.
- Available in Conventional or Floating Shoe design.
- Replaceable "Labyrinth Seals" for enhanced sealing performance.
- Ensures structural integrity and durability.
- Available in various opening sizes.

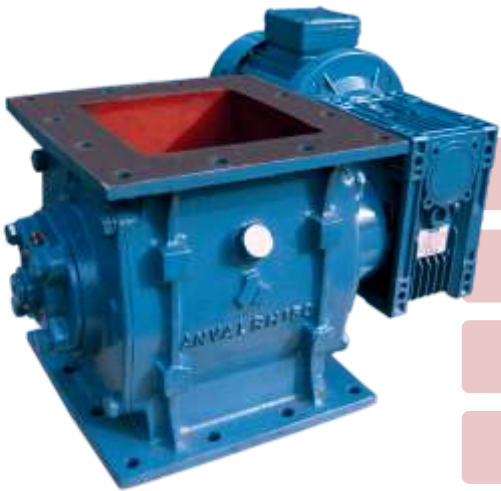


THE HEAVY DUTY & HIGHLY EFFICIENT RH SERIES | Rotary Airlock & Feeders

Anval RH Series valves are the ideal choice for serving as feeder and/or airlock in solids feeding applications. These valves are used extensively for biomass, cement, mining, minerals, chemicals, plastics, iron ore, coal and critical dust collection applications across industries. These valves are available in various sizes, ranging from 150 to 750mm, and can even be customized for larger sizes.

Key features of RH Series valves:

- Heavy-duty cast iron construction, ensuring durability and longevity.
- Available in a range of speeds, allowing flexibility in operation.
- Requires minimal maintenance and reduced downtime.
- Comes with Direct, Chain, Inline drive options.
- Can withstand higher temperature and higher pressure.
- Replaceable "Labyrinth Seals" for enhanced sealing performance.
- Wide selection of Rotors.
- Can be customized to specific requirements.
- ATEX Zones 1G and 1D.
- IP65 rated construction.



THE HIGH EFFICIENCY BLOW SEALS BH SERIES | Rotary Blow Through Valves

The BH Series valves are perfectly suited for enhancing the material flow in pneumatic conveying systems. The internal surfaces of these valves undergo precision machining, ensuring optimal performance in Pneumatic conveying applications. Used extensively in various industries such as agriculture, plastic, chemicals and other pneumatic conveying applications.

These valves are available in a range of opening sizes spanning from 150 to 350mm. Designed for mild-abrasive products, these valves have the capability to minimize pressure drop to virtually negligible levels.

Key features of BH Series valves:

- Seamless material flow in pneumatic conveying.
- Simple installation and maintenance.
- Compact, simple, and robust in design.
- Constructed as a single piece for enhanced durability.
- Features universal flanges for versatile compatibility.
- Equipped with replaceable "Labyrinth Seals".



A SIMPLE, ROBUST AND ECONOMICAL ISOLATION UNIT

SL SERIES | Slide Gate Valves

SL Series slide gate valves offer a cost-effective and dependable solution for bulk material isolation. With their compact design, reliable actuation options, and ease of installation, these valves are designed to meet the needs of diverse industries and provide efficient material flow control. As an alternative to the default mild steel valve, we also offer customized stainless steel valves to suit specific requirements.

SL Series slide gates, which can be customized to various opening sizes. These valves offer versatility in actuation options, allowing for manual or pneumatic operation.

Key features of the SL Series valves:

- Economical and reliable solution for bulk material isolation.
- Available in Handwheel, Pneumatic and Hydraulic actuation.
- Compact, simple and robust in design.
- Pressure tight support frame.
- Built to eminent temperature.
- Easy to install and maintain.
- Adjustable seat for high efficiency of sealing.



THE ABSOLUTE & HEAVY DUTY ISOLATOR

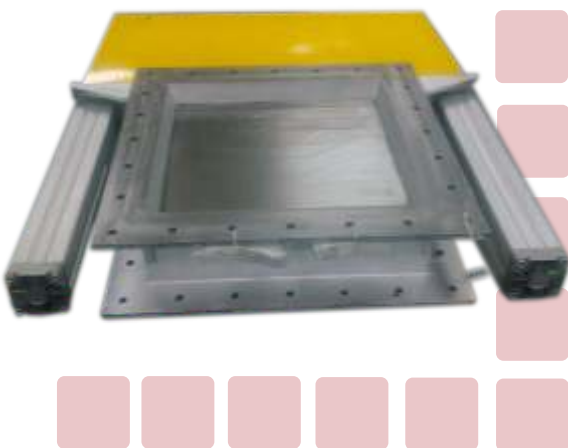
SG SERIES | Slide Gate Valves

SG Series slide gates are specifically designed to deliver swift and efficient isolation of bulk solids and sealing service. This is accomplished by securely forcing the blade into the valve seat using innovative trigger lock mechanism.

The SG Series Slide Gates are available in various sizes from 300 to 750mm as standard cast iron construction, allowing customization to meet the requirement of larger sizes.

Key features of the SG Series valves:

- Heavy duty isolation.
- Available in Handwheel, Pneumatic and Hydraulic actuation.
- Compact & robust design.
- Wear resistant and offers longer life span.
- Cast Iron as standard and Steel gate as optional.
- Can withstand Higher Temperature.
- Operates effectively in Higher Pressure environment.
- Easy to install and maintain.
- Anval's Trigger Lock Technology for absolute sealing.



THE HEAVY DUTY, TOUGH AND WEAR RESISTANT AIRLOCK
RMF SERIES | Larger Rotary Valves for Mill Feeding

Anval's larger Rotary valves are specifically designed for mill feeding applications that plays crucial role in the efficient and reliable transfer of bulk materials in milling operations. These valves are suited for applications where a controlled and continuous flow of larger & irregular shapes are handled in mills or grinding equipments.

Anval's Air Sluice Rotary Valves are engineered with precision and durability in mind. They are built to withstand the challenges of handling abrasive and wet materials commonly encountered in milling operations. These valve are designed to prevent material leakage and ensure a smooth, uninterrupted flow of material whilst facilitating the application of hot air to remove moisture from the bulk solids.

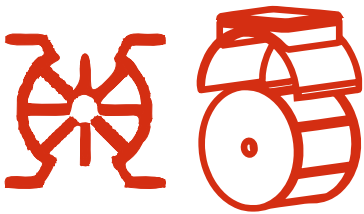
RMF Series Rotary valves are available in different constructions to cater the various application requirements:

- Conventional Rotary Valve Construction
- Replaceable Wear Plates Construction
- Rotary Floating Shoe (RFS) Construction
- Rotary Self Cleaning (RSC) Construction

These above options allows the users to choose the right equipment based on their specific requirements- factors such as Wear Resistance, Trouble free operation, and absolute sealing performance.

Key features of RMF Series valves:

- Robust construction ensuring durability and longevity.
- Rotary Floating Shoe (RFS) construction for optimum wear resistance.
- Wear resistant Floating Shoe provides optimum sealing.
- Available in Direct Drive or Chain Drive or Inline Drive options.
- Equipped with replaceable "Labyrinth Seals".
- Hot Air provision to remove moisture from solids.
- Hard faced rotor edges for longer life and wear resistance.
- Can be customized to specific requirements.
- Easy installation and minimal maintenance.
- Available with Self Cleaning system for High Moist applications.



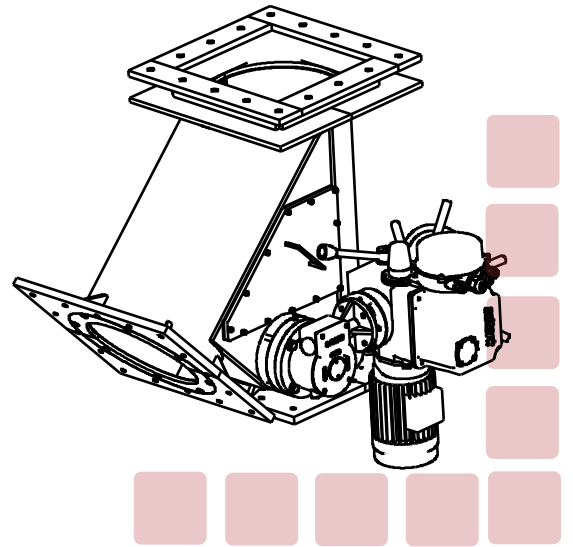
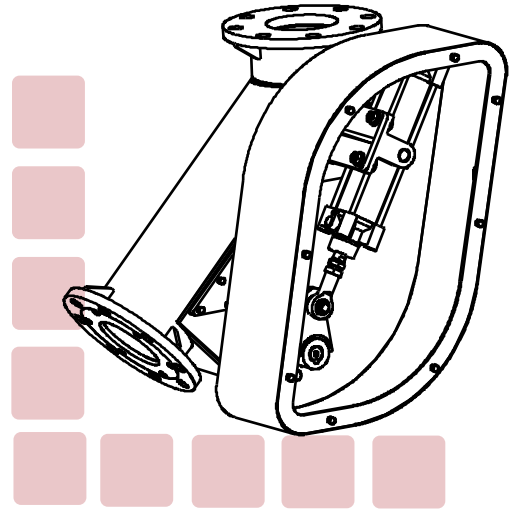
OBSTRUCTION FREE AND HEAVY DUTY
DV SERIES | Diverter Valves

Anval's Diverter valves are designed efficiently to redirect or divert the flow of powders & granules in various industrial applications including pneumatic conveying. These valves are available in different sizes and configurations to suit specific application requirements.

With its robust construction and superior performance, Anval Diverter valve is a trusted choice for industries such as Chemicals, Agriculture, Food, Pharmaceutical, Plastic and Paint & Pigments.

Key features of DV Series valves:

- Available in Flap, Disk, Plug, or Tunnel Type.
- Comes in Pneumatic, Manual, or Electrical actuation.
- Equipped with replaceable "Labyrinth Seals".
- Deliver excellent sealing & conveying performance.
- Sturdy design and cost-effective.
- No intricate adjustments required.
- Minimal maintenance requirements.



THE HEAVY DUTY & HIGHLY EFFICIENT CIRCULAR OPENING
RC SERIES | Rotary Airlock & Feeders

Anval RC Series valves are the ideal choice for serving as feeder and/or airlock in solids feeding applications. These valves operate under the toughest conditions with minimal maintenance. In addition, these valves have all of the advantages of Cast Iron over traditional mild steel including superior corrosion resistance, better wear properties and thermal stability. Available in opening sizes from ø250 to 400mm.

Key features of RC Series valves:

- Circular inlet and outlet.
- Heavy-duty cast iron construction, ensuring durability and longevity.
- Available in a range of speeds, allowing flexibility in operation.
- Requires minimal maintenance and reduced downtime.
- Comes with Direct, Chain, Inline drive options.
- Can withstand higher temperature and higher pressure
- Replaceable "Labyrinth Seals" for enhanced sealing performance.



Authorised Distributor



HEAD OFFICE

Western Australia

Local Call: 1300 127 091

International Call: +61 (0) 8 9270 8555

Email: wasales@transmin.com.au

Address: 33-37 Denninup Way Malaga
Perth, Western Australia, 6090

Queensland & Northern Territory

Local Call: 1300 800 609

International Call: +61 (0) 7 3736 3340

Email: qldsales@transmin.com.au