



CONVEYORPRO EVERYTHING CONVEYORS.

The Transmin ConveyorPro range includes machinery, equipment, parts, servicing and engineering all under one roof. If you're looking for 'everything conveyors' - look no further.

Backed by Transmin's 30 year-long history and trusted reputation, the ConveyorPro Range has been carefully compiled to include everything from belt, chain, idlers and pulleys, to cleaners, tools, calibration and detection systems.

THE COMPLETE RANGE

- ▶ On-site solution and recommendations.
- ▶ Belt cleaners - scrapers, trackers, skirting and ploughs.
- ▶ Belt supplies - ST, PN/EP, chevron, kevlar and ProEdge.
- ▶ Belt Tooling - eg; cutter and lifters.
- ▶ Mechanical splicing kits and vulcanisation kits (hot & cold).
- ▶ Idlers and Rollers (including weigh, wear-tech, HDPE, anti-corrosive, ST and impact).
- ▶ Impact tables/beds.
- ▶ Modular/Overland systems.
- ▶ Pulleys (drive, GTU & tail) and lagging.
- ▶ Screw and chain conveyors.

WHY CONVEYORPRO?

- ▶ Competitive pricing - ConveyorPro can reduce your annual spend and save you time and money while recover lost tonnage.
- ▶ High performance, high quality - Certified JIS, ISO, DIN, MSHA, AS, CSA including 3rd party inspection and quality test.
- ▶ Industry leading lead times - Shortest lead times, Delivery options available to suit your needs.
- ▶ Customer Care - Transmin ConveyorPro supports your conveying needs - starting with our professional parts interpreters continuing through to our technical service department.

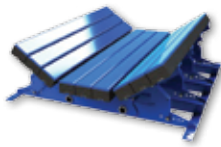


TOOLING



- ▶ Portable splice presses
- ▶ Belt repair kits
- ▶ Hook, staple & lace systems
- ▶ Cutters

IMPACT SOLUTIONS



- ▶ Impact idlers
- ▶ Impact slider bars
- ▶ Impact tables/beds

BELTS



- ▶ Canvas belt
- ▶ Steel cord belt
- ▶ Flame resistant belt
- ▶ Site installations

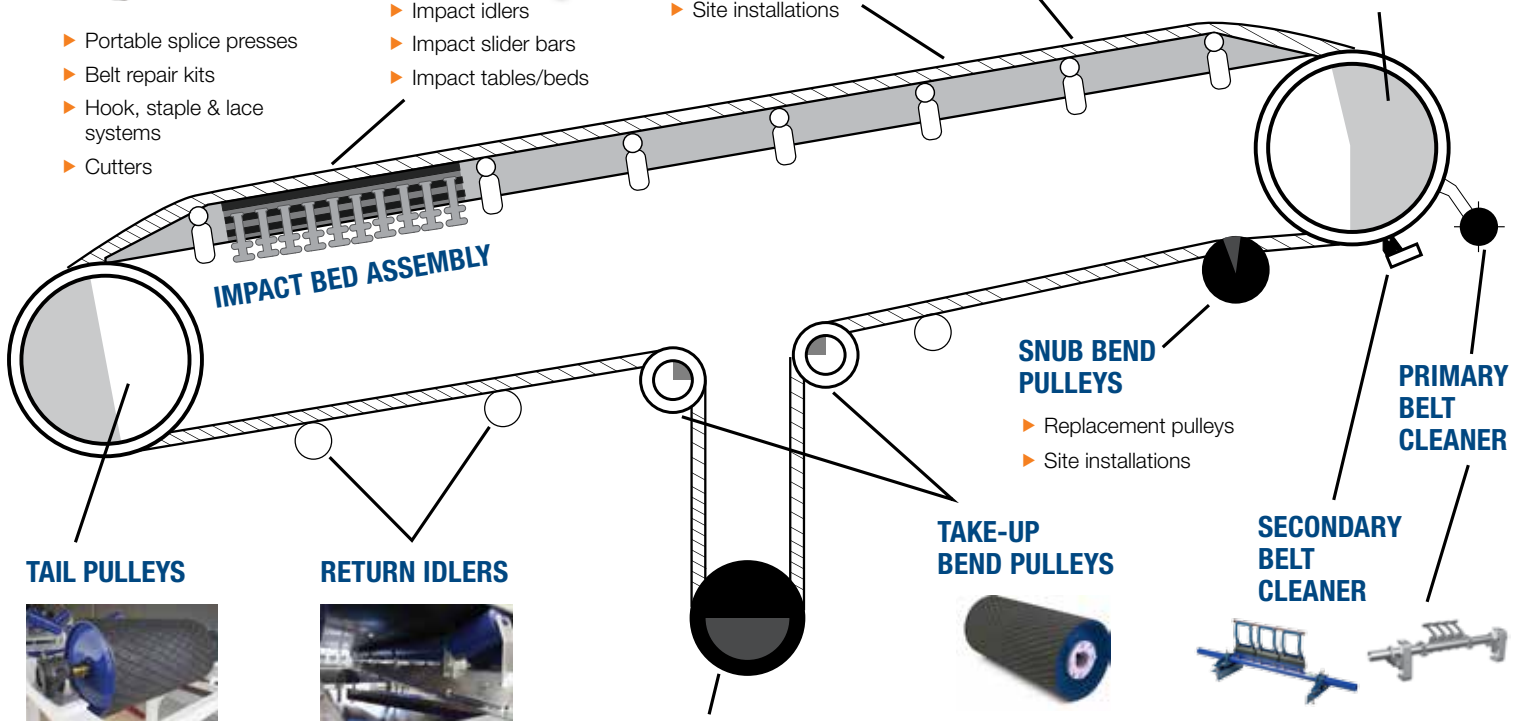
TROUGHING IDLERS



- ▶ Steel idlers
- ▶ Composite idlers
- ▶ PVC idlers
- ▶ Profiled idlers

DRIVE PULLEYS

- ▶ Replacement pulleys
- ▶ Rubber & ceramic lagging
- ▶ Lagging adhesives
- ▶ Site installations



TAIL PULLEYS



- ▶ All types available
- ▶ Rubber & ceramic lagging
- ▶ Lagging adhesives
- ▶ Site installations

RETURN IDLERS



- ▶ All types
- ▶ Site installations

TAKE-UP PULLEY

- ▶ Replacement pulleys
- ▶ Pulley lagging
- ▶ Site installations

SNUB BEND PULLEYS

- ▶ Replacement pulleys
- ▶ Site installations

TAKE-UP BEND PULLEYS



- ▶ Replacement pulleys
- ▶ Site installations

PRIMARY BELT CLEANER

SECONDARY BELT CLEANER



- ▶ 900mm to 3000mm
- ▶ Local manufacture
- ▶ European manufacture
- ▶ Asian manufacture