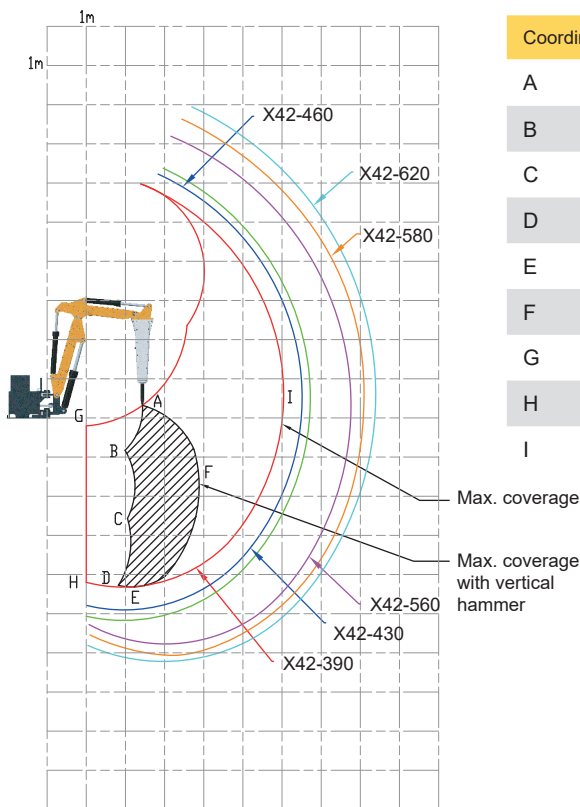


For light duty jaw crusher applications

	X42-390	X42-430	X42-460	X42-560	X42-580	X42-620
Maximum reach (incl. nominal breaker), m	6.0	6.5	6.8	7.7	7.7	8.4
Horizontal reach, max (breaker vertical), m	3.9	4.3	4.6	5.6	5.8	6.2
Vertical reach, max (incl. nominal breaker), m	4.3	4.8	5.1	5.5	5.5	6.3
Nominal breaker length, m	2.0					
Recommended breaker weight, kg	400–1000					
Swing	170					
Number of boom sections	2					
Operating mass excluding breaker, PowerPack and control console, kg	2500	2550	2600	2650	2700	2750
Foundation plate dimension, m	0.81 x 0.96					
Lift boom length, m	2.05	2.05	2.05	3.25	3.25	3.25
Dipper boom length, m	1.45	1.95	2.25	1.95	2.25	2.75
Dipper extension boom length, m	n/a					
Radial raking max, kg	n/a					
Axial raking max, kg	n/a					

Reach curves



Coordinates*	X42-390	X42-430	X42-460	X42-560	X42-580	X42-620
A	2.4 ; 0.3	2.9 ; 0.3	3.2 ; 0.2	3.3 ; 1.4	3.6 ; 1.6	4.1 ; 1.3
B	2.0 ; -0.8	2.3 ; -1.3	2.4 ; -1.5	2.6 ; -0.1	2.9 ; -0.1	3.0 ; -0.8
C	2.1 ; -2.6	1.8 ; -3.0	1.7 ; -3.3	2.0 ; -2.7	2.9 ; -2.7	2.7 ; -3.4
D	1.8 ; -4.3	1.6 ; -4.7	1.5 ; -5.0	2.6 ; -5.4	2.6 ; -5.5	2.3 ; -6.1
E	2.0 ; -4.3	2.0 ; -4.8	2.0 ; -5.1	2.0 ; -5.5	4.4 ; -5.2	2.0 ; -6.3
F	3.9 ; -1.7	4.3 ; -2.1	4.6 ; -2.0	5.5 ; -1.9	5.8 ; -1.3	6.3 ; -2.0
G	1.0 ; -0.2	1.0 ; -0.6	1.0 ; -0.8	1.0 ; 0.6	1.4 ; 0.4	1.0 ; -0.1
H	1.0 ; -4.2	1.0 ; -4.7	1.0 ; -5.0	1.0 ; -5.0	1.4 ; -5.2	1.0 ; -5.9
I	6.0 ; 0.7	6.5 ; 0.5	6.8 ; 0.6	7.7 ; 0.6	7.8 ; 0.5	8.4 ; 0.6

*Reach coordinates (x ; y) based on the typical breaker length and are indicative only. Refer to the mechanical drawings for full reach profile data.

Breaker weight – powerpack reference (50 Hz)	X42-390	X42-430	X42-460	X42-560	X42-580	X42-620
300 – 599 kg						PU18-43
600 – 1000 kg						PU30-63

Configuration	X42-390	X42-430	X42-460	X42-560	X42-580	X42-620
Hydraulic breaker				-		
Powerpack				o		
Control seat				+		
Control stand				-		
Radio remote control				o		
Autolube				+		
Hosetower				-		
Flexibase				-		
Hour meter breaker				-		
Cabin, Protection glass				-		

• standard o option + accessory - not available