

Name: Company: Site: Email:

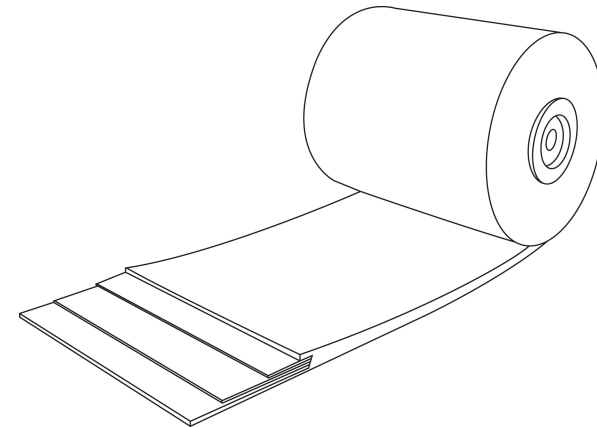
Phone: Equip ID:

ConveyorPro FABRIC CONVEYOR BELT

Please complete this enquiry form so that your requirements can be fully evaluated.

Refer to Diagram Page 3

Material Handled	Designation			
	Temperature interval		°C	
	Humidity		%	
	Max. lump size		mm	
	Lump size distribution		%	
	Bulk density		kg/m ³	
	Chemically corrosive?	Yes	No	
	Oil?	Yes	No	
Mass Flow	Capacity		t/h	
	Hrs per day operation		hrs	
	days per year operation		days	
	Belt speed		m/s	
Pulley Center Distance	L0		m	
	L1		m	
	L2		m	
	L3		m	
	L4		m	
	L5		m	
Lift Height	Uphill		Downhill	
	Lift of section lengths:			
	H1		m	
	H2		m	
	H3		m	



Proposed Site Visit

Special Comments

Lift Height	H4		m
	H5		m
	H6		m
Minimum Curve Radius	Horizontal		m
	Vertical, convex		m
	Vertical, concave		m
Maximum Inclination in the Routing			°
Belt Width			mm
Troughing angle in top strand, λ			°
Idlers	Idler spacing in top strand		m
	Idler spacing in top strand		m
	Idler station type in top / bottom strand (1-, 2-, 3-, or 5-part)	Top: Bottom:	
	Idler diameter top strand		mm
	Idler diameter bottom strand		mm
Belt length			m
Take Up Configuration	(automatic / rigid / gravity at head / tail)		
Belt Designation	Belt mass		kg/m
	Belt type (EP / St etc)		
	Number of plies (EP belt)		
	Belt top cover thickness		mm
	Belt bottom cover thickness		mm
	Belt total thickness		mm
	Rubber grade (M, W, DIN-K etc)		
	Compliance standard (ISO, DIN etc)		
	Splice type		

Motor Power Installed	Drive configuration (with or without frequency converter or hydraulic clutch)		
	(Number of drives at head / intermediate / tail)		
	Specific output kW	Drive 1: Drive 2: Drive 3:	
	Starting / braking time		
	Drive pulley - diameter		mm
	Wrap angle head drive pulley		°
	Lagging type head drive pulley		
	Tail pulley - diameter		mm
	Wrap angle tail drive pulley		°
	Lagging type tail pulley		
	Snub pulley - diameter		mm
	Wrap angle snub pulley		°
	Lagging type snub pulley		
	Take-up pulley - diameter		mm
	Wrap angle take-up pulley		°
Lagging type take-up pulley			
Rotating masses (if known)		t	
Local Transport Limits for Belt Reels	Lmax x Hmax x Bmax		M
	Max. reel weight		T
Ambient Temperature Interval			°C
Chute Type (Feeding Conditions)	(impact wall, rock box, grizzly fingers, hood-spoon etc)		
	Drop Height		m
	Transfer / repose angle		°
	Skirting length (assuming both sides)		m
	Covered, underground or tripper		

